



PH - 201 AVIATION HEADSET

HEADSET OPERATION

1. Rotate the flexible boom overhead to wear the microphone on either the right or left side of the head.
2. Rotate the headset volume control (on the side of the headset opposite the microphone boom) fully counter-clockwise to the minimum position. before the headset plug is inserted into the aircraft or intercom
3. With the headband resting securely on the top of the head, check that the earseal are centered over the ears.
4. For best noise cancellation, position the microphone 0-6 mm from your lips .
5. Insert the plug (U174/U) into the aircraft or intercom jack.
6. Volume Adjustment Procedure
Rotate the headset volume knob clockwise to a comfortable level.

Cautions:

1: Proper Fit

Proper fit is critical to its noise attenuation effectiveness.

A: Push the headband down until it rests comfortably on the top of your head. Move the earcups slightly up or down or from side to side until you feel Maximum attenuation.

B: The use of eyeglasses will reduce the attenuation. Use thin temples on your glasses to keep noise leakage at a minimum.

2: Use in Impulsive Noise Area

NRR is based on continuous noise, may not be an accurate indicator of the impulsive noise such as gunfire.

For maximum protection, you can use ear plugs in addition to it.

3: Maintenance and Cleaning

In order for your headset working properly, always comply the following:

A: Never alter your headset.

B: If you see a defect such as splits in cups, seek immediate replacement.

4: Cleaning Instructions

A: Do not immerse in water.

B: Clean regularly with mild soap water. Sponge off headpad and earseals, Taking care to rinse thoroughly.

HEADSET NOISE ATTENUATION DATA

The noise reduction or attenuation characteristics of communication headsets must be measured according to an accepted standard procedure if the characteristics of different headset are to be compared in a meaningful way.

The Noise Reduction Rating (NRR) is provided in accordance with U.S.EPA Regulation 40 CFR Part 211.Subpart B. The Range of Noise Reduction Rating for Existing Hearing Protectors is Approximately 0 to 30. (Higher Numbers Denote Greater Effectiveness)

Frequency[Hz]	125	250	500	1000	2000	3000	4000	6000	8000
Attenuation[dB]	14.3	21.5	27.1	31.8	36	39.5	41.3	39.7	37.0
Standard Deviation	3.3	2.4	1.5	1.6	1.3	2.1	2.1	2.0	1.3

Specifications

Noise Reduction Ratings (NRR): 24dB

Headphone

Type: Dynamic (Φ 50)

Frequency Response: 100Hz to 8 kHz

Sensitivity: 95 ± 5 dB SPL (1 kHz, 1 mW input per earcup side)
full volume on ear simulator

Impedance: 150 ohms (300 ohms each; wired in parallel)

Rate Input: 100mW

Max. Input: 250mW

Microphone and Amplifier:

Element Type: Noise-canceling electret

Frequency Response: 150Hz to 5kHz

Operating Voltage (supplied by aircraft): 8-32 Volts DC

Matching Impedance: 150-1000 ohms

Sensitivity: -33 ± 4 dB

(ref: 0dB SPL=20.0uPa at 1 kHz with 10 Vdc 150 ohms AC load)

General:

Temperature: Operating: - 20 to 70°C

Cordage:

PH-201 Coiled cord from headset to molded plug, 70CM

Intercom Connections:

Plug : U174/U

Weights:

PH-201 -----560g

Headset size range

Height: 10 to 14 cm

Color:

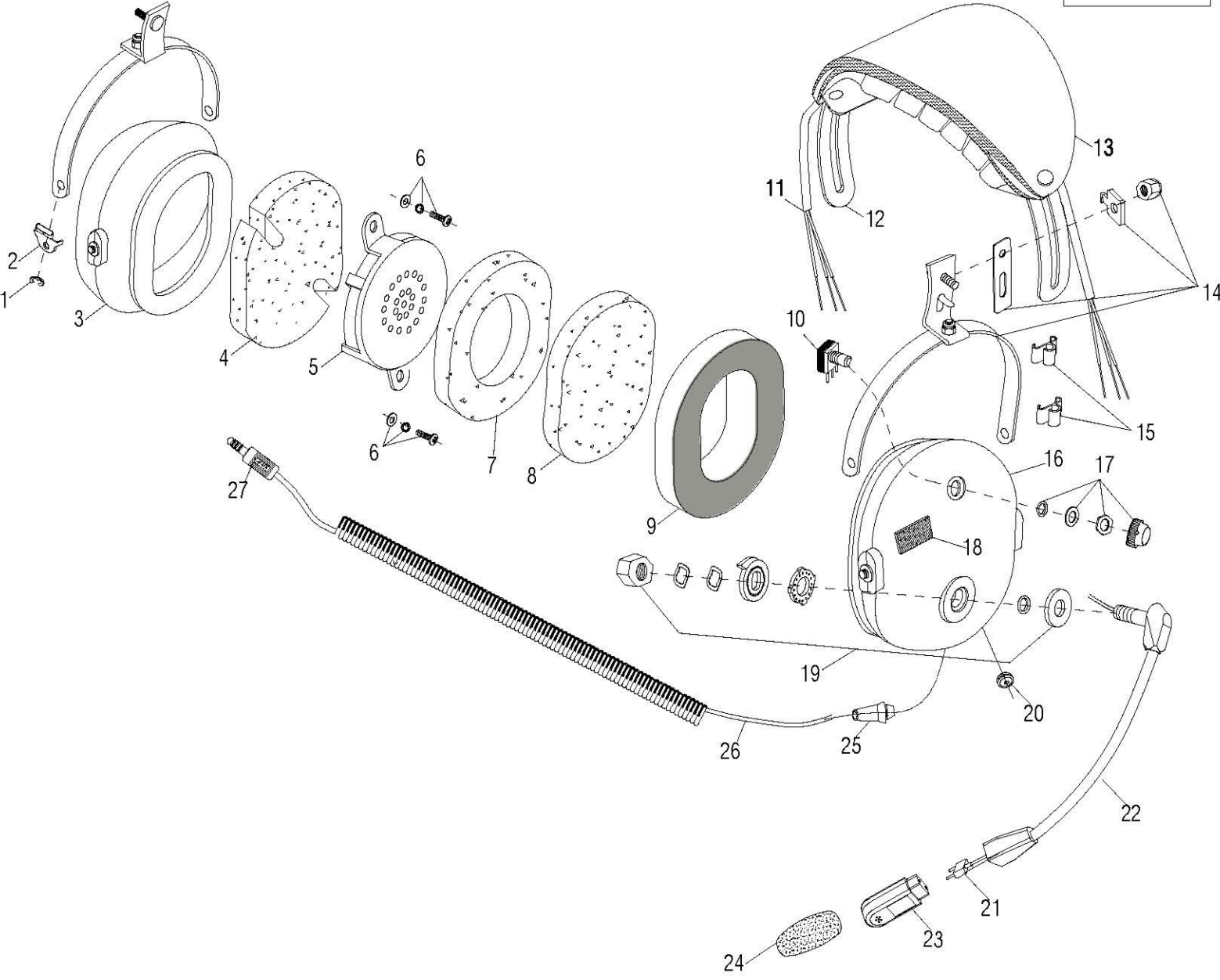
Black

Boom:

Flexible Boom

EXPLODED VIEW AND DISASSEMBLY INSTRUCTIONS

PARTS LIST
MODEL - PH-201

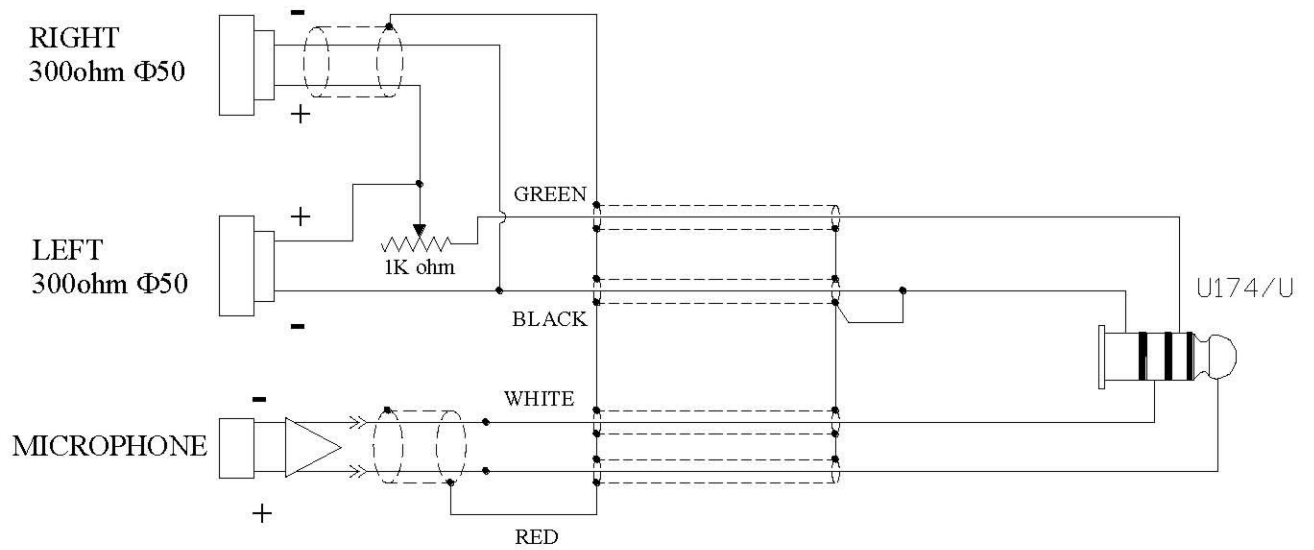


PARTS LIST

ITEM	P/N	DESCRIPTION	ITEM	P/N	DESCRIPTION
1	10ME0001	RETAINING RING	17	10KI0002	VOLUME KNOB KIT
2	10ME0002	DOME STOP , STAINLESS STEEL	18	10EL0003	JUNCTION BOARD , PCB
3	10PL0001	RIGHT EARCUP	19	10KI0005	MIC BOOM ATTACHMENT KIT
4	10SP0001	FILTER (3)	20	10PL0004	GROMMET , RUBBER
5	10EL0001	EARPHONE ASSEMBLY Φ50 300 OHMS□	21	10CR0007	MICROPHONE PLUG CORD
6	10ME0003	SCREW KIT	22	10KI0006	FLEXIBLE BOOM ASSEMBLY
7	10SP0002	FILTER (2)	23	10EL0005	ELECTRET MICROPHONE
8	10SP0003	FILTER (1)	24	10SP0006	MICROPHONE WINDSCREEN
9	10SP0004	EARSEAL ,PU	25	10PL0005	STRAIN RELIEF
10	10EL0002	VOLUME CONTROL 1K□	26	10CR0003	COMM CORD , COILED
11	10CR0001	OVERHEAD CORD	27	10ME0005	U174/U PLUG FOR HELICOPTER
12	10ME0004	HEADBAND , STAINLESS STEEL	28		
13	10SP0005	HEADBAND CUSHION	29		
14	10KI0001	STIRRUP & CLAMP KIT	30		
15	10PL0002	OVERHEAD CORD CLAMP	31		
16	10PL0007	LEFT EARCUP	32		

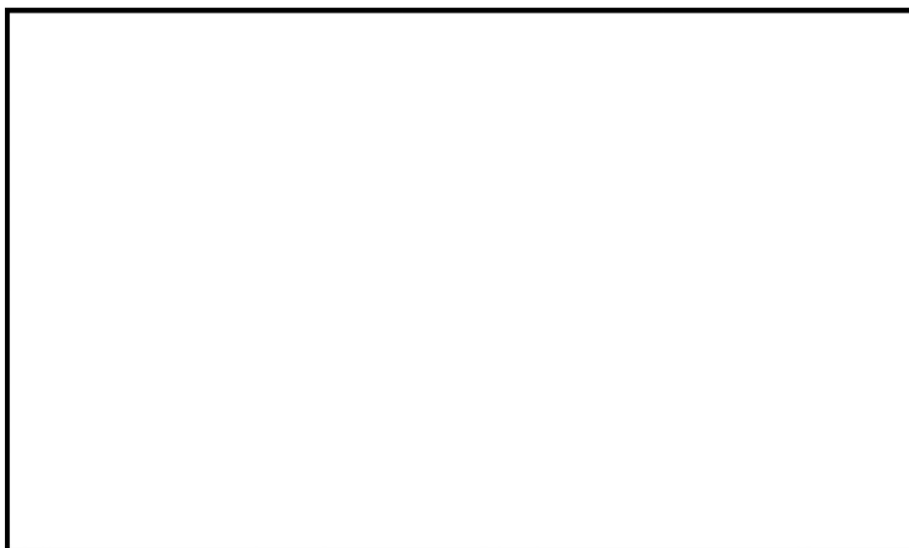
HEADSET SCHEMATIC DIAGRAM

PH - 201



User's notes:

Salesman:

A large, empty rectangular box with a black border, intended for a signature or stamp.